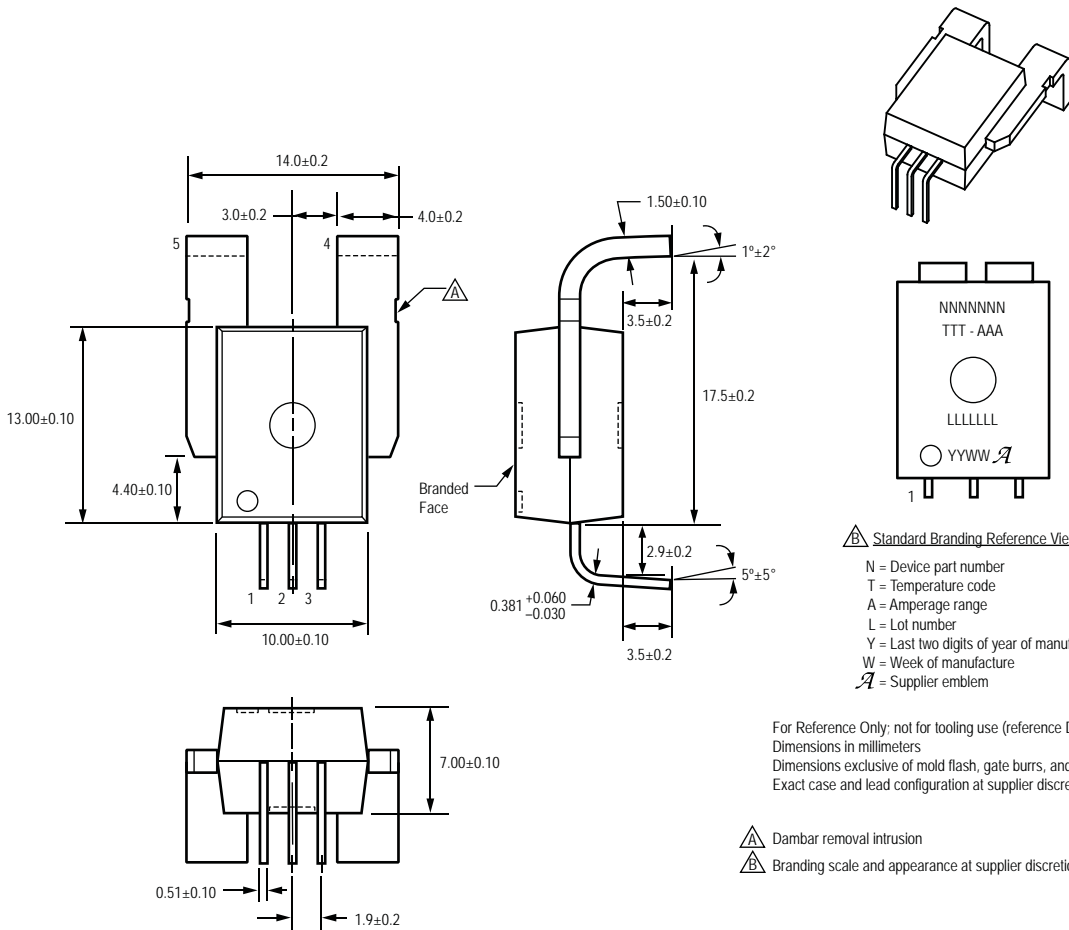
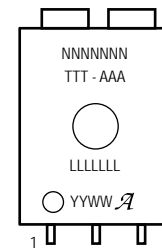
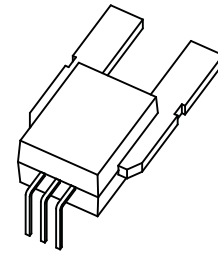
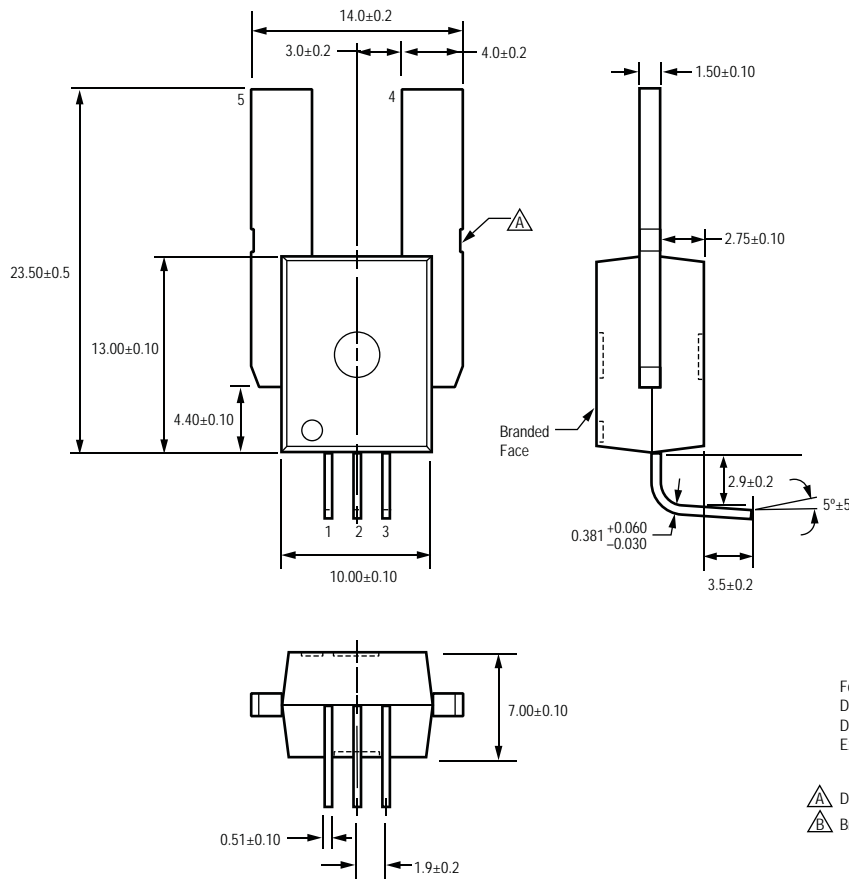


Designator: CA and CB Type: 3-pin with 2 current path terminals, PFF leadform



Copyright ©2008-2010, Allegro MicroSystems, Inc. Drawings are for reference only; not for tooling use. Refer to the individual datasheet for information on a specific product package. Allegro MicroSystems, Inc. reserves the right to make, from time to time, such departures from the detail specifications as may be required to permit improvements in the performance, reliability, or manufacturability of its products. Before placing an order, the user is cautioned to verify that the information being relied upon is current. The information included herein is believed to be accurate and reliable. However, Allegro MicroSystems, Inc. assumes no responsibility for its use; nor for any infringement of patents or other rights of third parties which may result from its use.

Designator: CA and CB Type: 3-pin with 2 current path terminals, PSF leadform



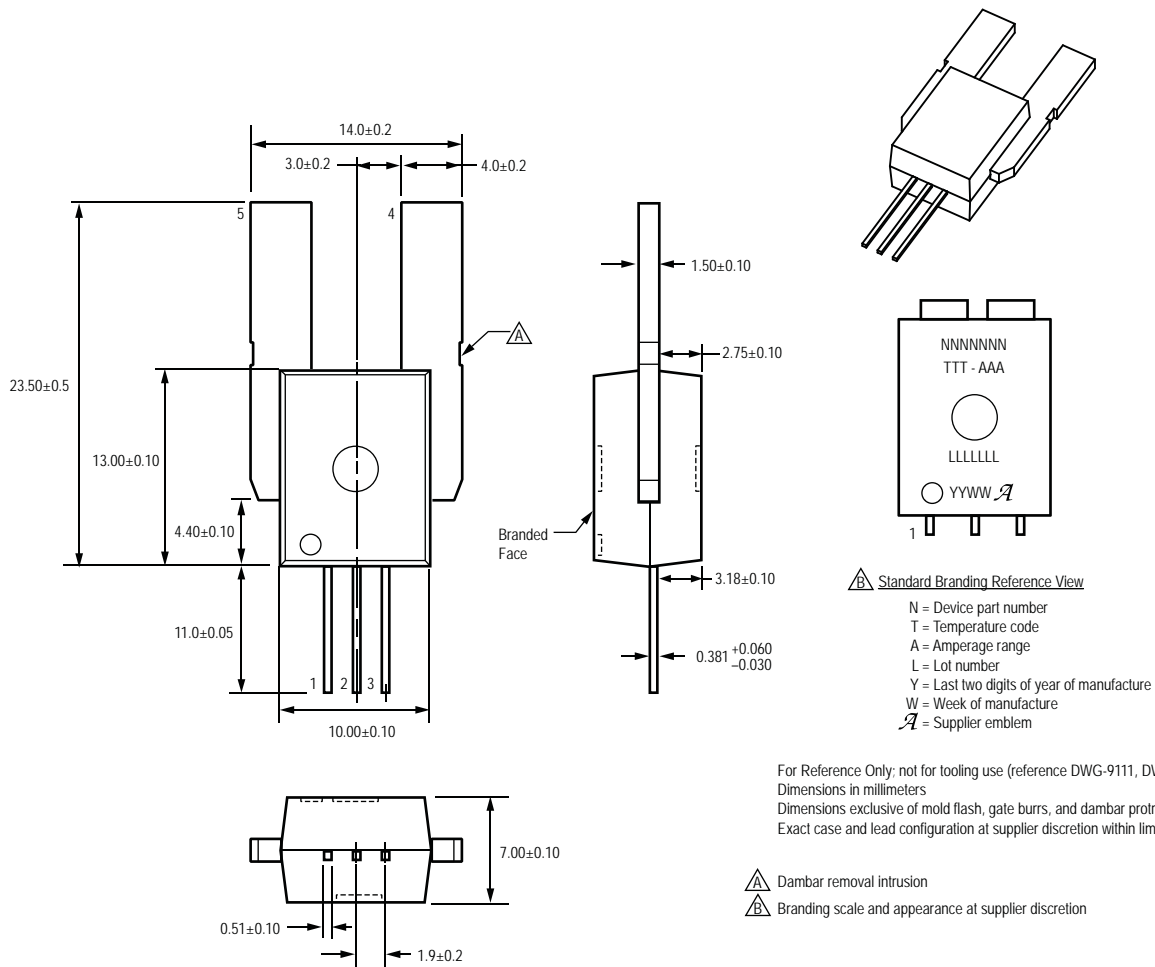
Standard Branding Reference View

N = Device part number
T = Temperature code
A = Amperage range
L = Lot number
Y = Last two digits of year of manufacture
W = Week of manufacture
 \mathcal{A} = Supplier emblem

For Reference Only; not for tooling use (reference DWG-9111, DWG-9110)
Dimensions in millimeters
Dimensions exclusive of mold flash, gate burrs, and dambar protrusions
Exact case and lead configuration at supplier discretion within limits shown

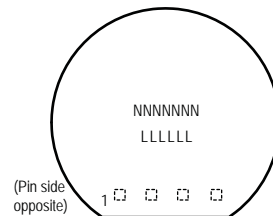
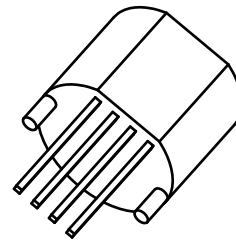
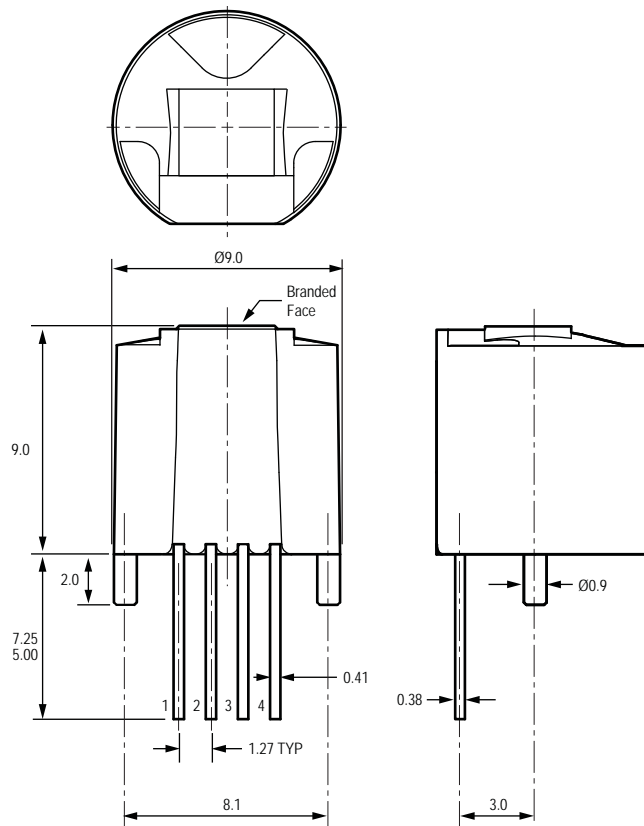
- \triangle Dambar removal intrusion
- \triangle Branding scale and appearance at supplier discretion

Designator: CA and CB Type: 3-pin with 2 current path terminals, PSS leadform



Copyright ©2008-2010, Allegro MicroSystems, Inc. Drawings are for reference only; not for tooling use. Refer to the individual datasheet for information on a specific product package. Allegro MicroSystems, Inc. reserves the right to make, from time to time, such departures from the detail specifications as may be required to permit improvements in the performance, reliability, or manufacturability of its products. Before placing an order, the user is cautioned to verify that the information being relied upon is current. The information included herein is believed to be accurate and reliable. However, Allegro MicroSystems, Inc. assumes no responsibility for its use; nor for any infringement of patents or other rights of third parties which may result from its use.

Designator: SA
Type: 4-pin SIP



 Standard Branding Reference View

N = Device part number
 L = Lot number

For Reference Only; not for tooling use (reference dwg. 52-9000-0048)

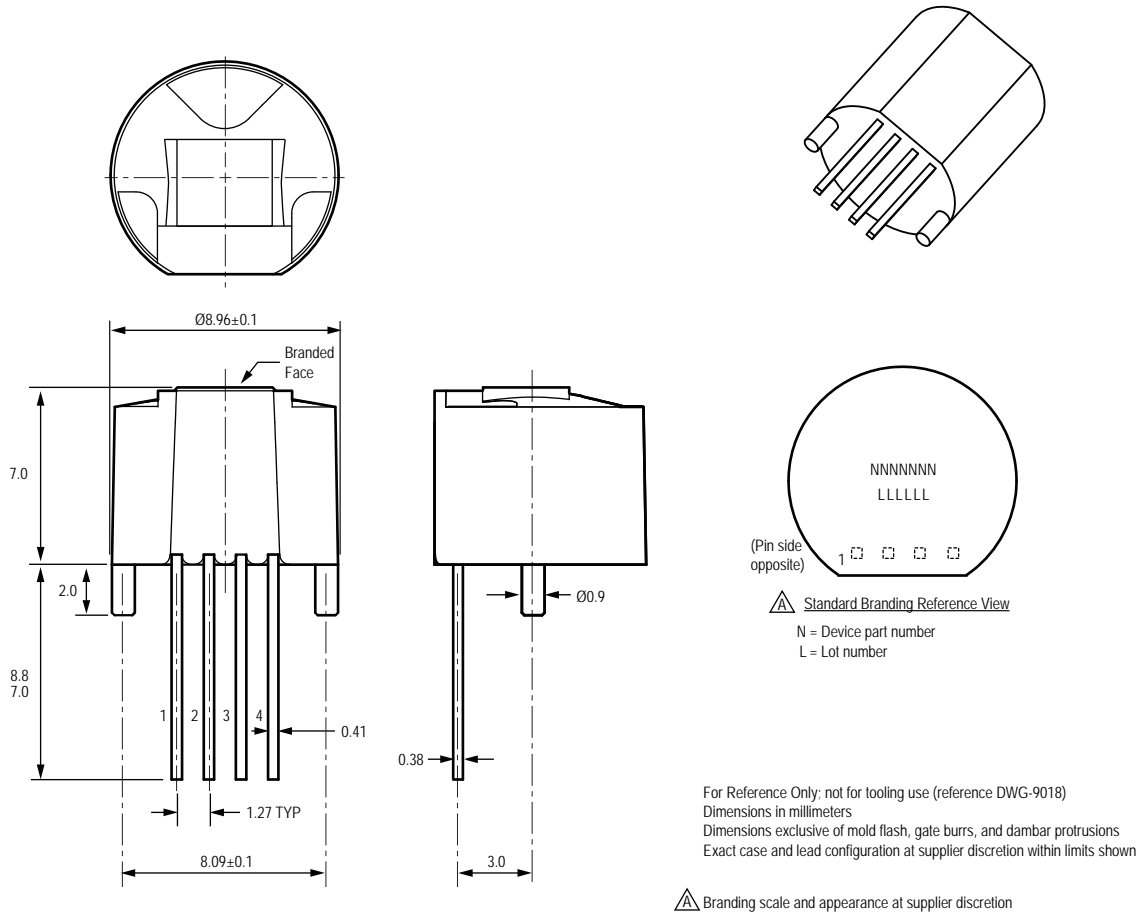
Dimensions in millimeters

Dimensions exclusive of mold flash, gate burrs, and dambar protrusions

Exact case and lead configuration at supplier discretion within limits shown

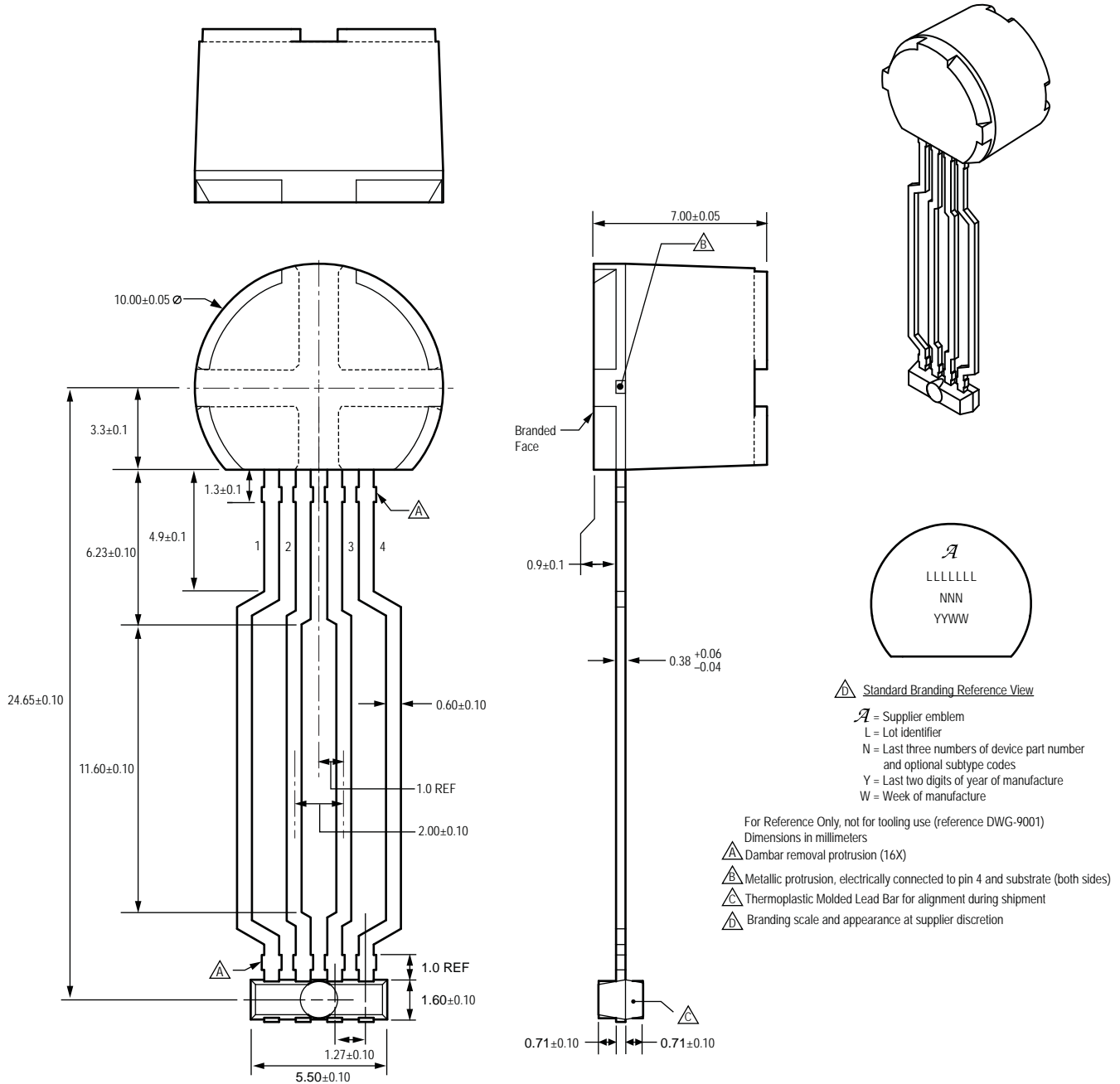
 Branding scale and appearance at supplier discretion

Designator: SB
Type: 4-pin SIP

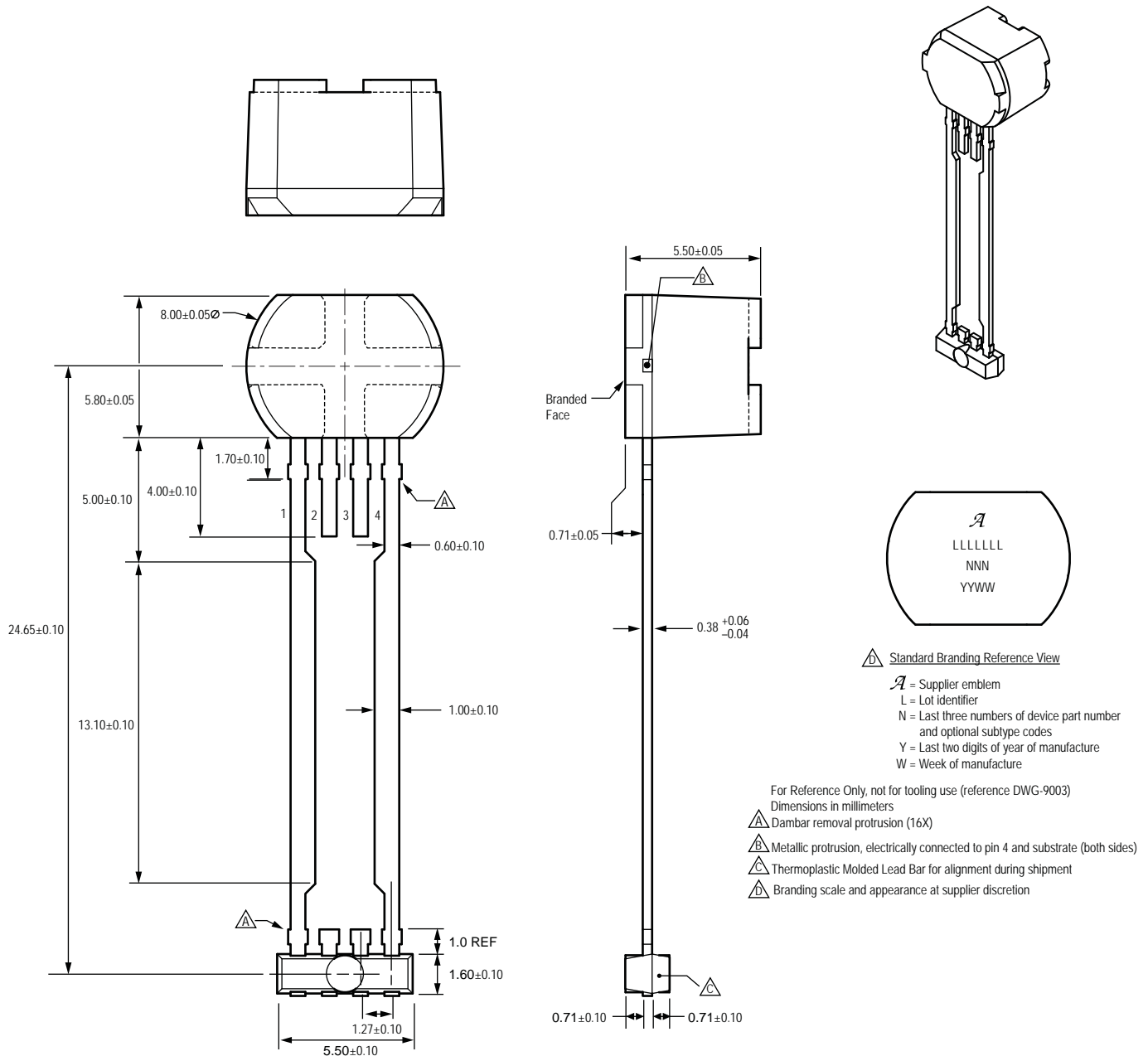


Copyright ©2008-2010, Allegro MicroSystems, Inc. Drawings are for reference only; not for tooling use. Refer to the individual datasheet for information on a specific product package. Allegro MicroSystems, Inc. reserves the right to make, from time to time, such departures from the detail specifications as may be required to permit improvements in the performance, reliability, or manufacturability of its products. Before placing an order, the user is cautioned to verify that the information being relied upon is current. The information included herein is believed to be accurate and reliable. However, Allegro MicroSystems, Inc. assumes no responsibility for its use; nor for any infringement of patents or other rights of third parties which may result from its use.

Designator: SE
Type: 4-pin SIP

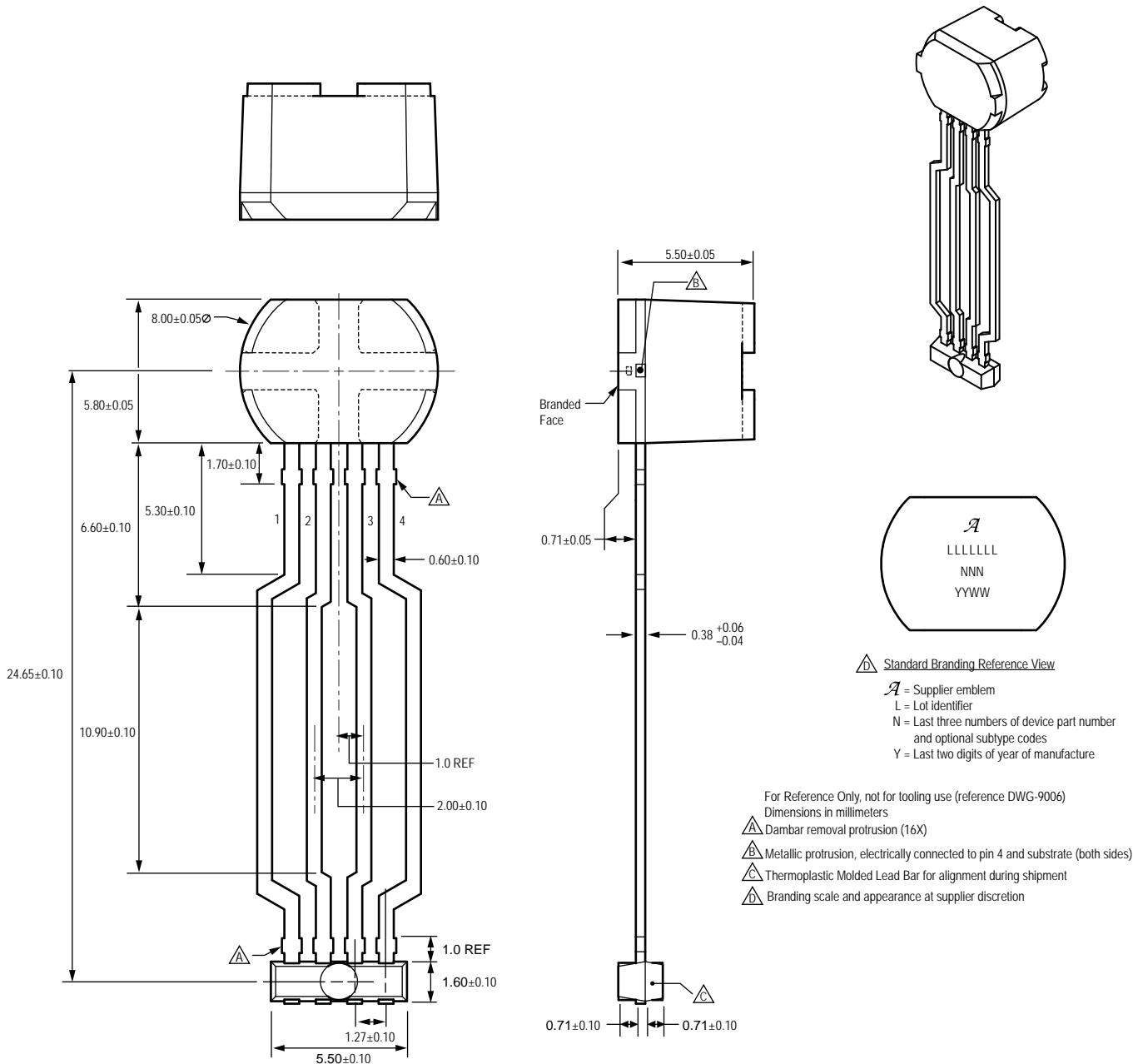


Copyright ©2008-2010, Allegro MicroSystems, Inc. Drawings are for reference only; not for tooling use. Refer to the individual datasheet for information on a specific product package. Allegro MicroSystems, Inc. reserves the right to make, from time to time, such departures from the detail specifications as may be required to permit improvements in the performance, reliability, or manufacturability of its products. Before placing an order, the user is cautioned to verify that the information being relied upon is current. The information included herein is believed to be accurate and reliable. However, Allegro MicroSystems, Inc. assumes no responsibility for its use; nor for any infringement of patents or other rights of third parties which may result from its use.



Copyright ©2008-2010, Allegro MicroSystems, Inc. Drawings are for reference only; not for tooling use. Refer to the individual datasheet for information on a specific product package. Allegro MicroSystems, Inc. reserves the right to make, from time to time, such departures from the detail specifications as may be required to permit improvements in the performance, reliability, or manufacturability of its products. Before placing an order, the user is cautioned to verify that the information being relied upon is current. The information included herein is believed to be accurate and reliable. However, Allegro MicroSystems, Inc. assumes no responsibility for its use; nor for any infringement of patents or other rights of third parties which may result from its use.

Designator: SJ
Type: 4-pin SIP



Standard Branding Reference View
A = Supplier emblem
 L = Lot identifier
 N = Last three numbers of device part number and optional subtype codes
 Y = Last two digits of year of manufacture

For Reference Only, not for tooling use (reference DWG-9006)
 Dimensions in millimeters
 △ Dambar removal protrusion (16X)
 △ Metallic protrusion, electrically connected to pin 4 and substrate (both sides)
 △ Thermoplastic Molded Lead Bar for alignment during shipment
 △ Branding scale and appearance at supplier discretion

Copyright ©2008-2010, Allegro MicroSystems, Inc. Drawings are for reference only; not for tooling use. Refer to the individual datasheet for information on a specific product package. Allegro MicroSystems, Inc. reserves the right to make, from time to time, such departures from the detail specifications as may be required to permit improvements in the performance, reliability, or manufacturability of its products. Before placing an order, the user is cautioned to verify that the information being relied upon is current. The information included herein is believed to be accurate and reliable. However, Allegro MicroSystems, Inc. assumes no responsibility for its use; nor for any infringement of patents or other rights of third parties which may result from its use.